

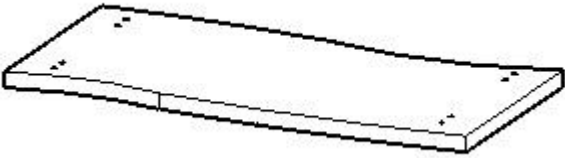

# Coffee Table (AWDD1120)





Thank you for purchasing our Coffee Table. It will be helpful to have a second person available during the assembly of this product.

## Assembly Instructions

Lay out all parts on a “non-abrasive” surface to avoid scratching the furniture.

NO.	DRAWING	DESCRIPTION	QTY.
A		TOP	1
B		LEG	4

NO.	DRAWING	DESCRIPTION	QTY.
C		M8×25MM BOLT	8
D		ALLEN KEY	1

### Step 1

Read through these instructions thoroughly before beginning assembly. We have found this to be of great value when first assembling this product.

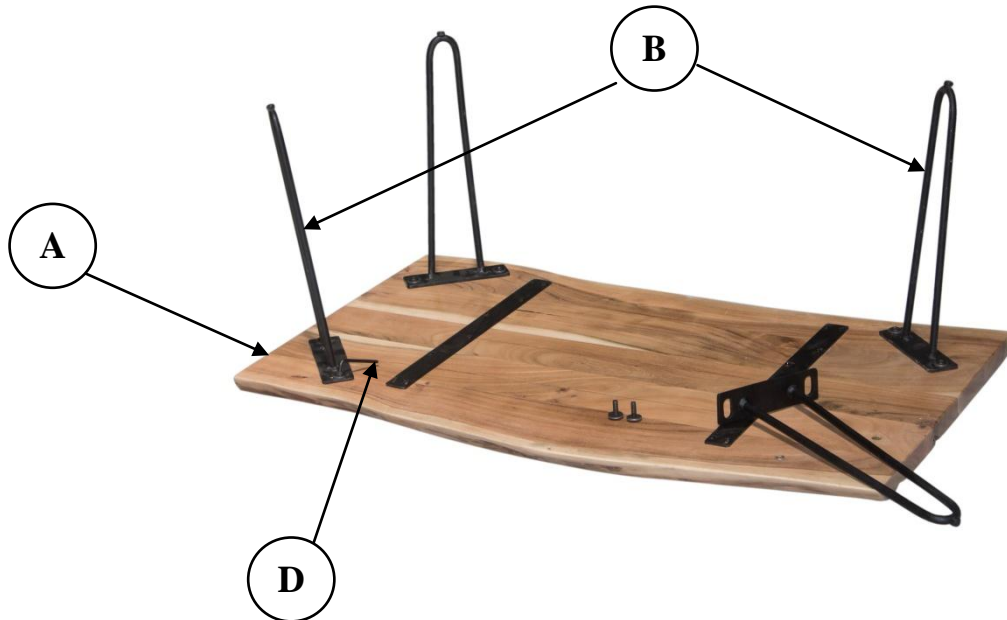
## Step 2

Remove all parts and hardware from packing material. Wooden pieces should be placed on a non abrasive surface (like the carton or carpet) to prevent damage to the finish.

## Step 3

Lay Top (A) upside down and attach 4 Legs (B) using 8, 8M×25MM Bolts (C)

**TIGHTEN ALL BOLTS FIRMLY AT THIS TIME.**



## Step 4



**TIGHTEN ALL BOLTS FIRMLY AT THIS TIME USING ALLEN KEY (D). SET COFFEE TABLE UPRIGHT.**

---

## CARE

Clean with mild soap and wipe dry.

---

## REPLACEMENT PARTS:

For best service, to order replacement parts go to [www.alaterrefurniture.com](http://www.alaterrefurniture.com).  
Use the order form on the web site to order replacement parts.

Thank  
You!